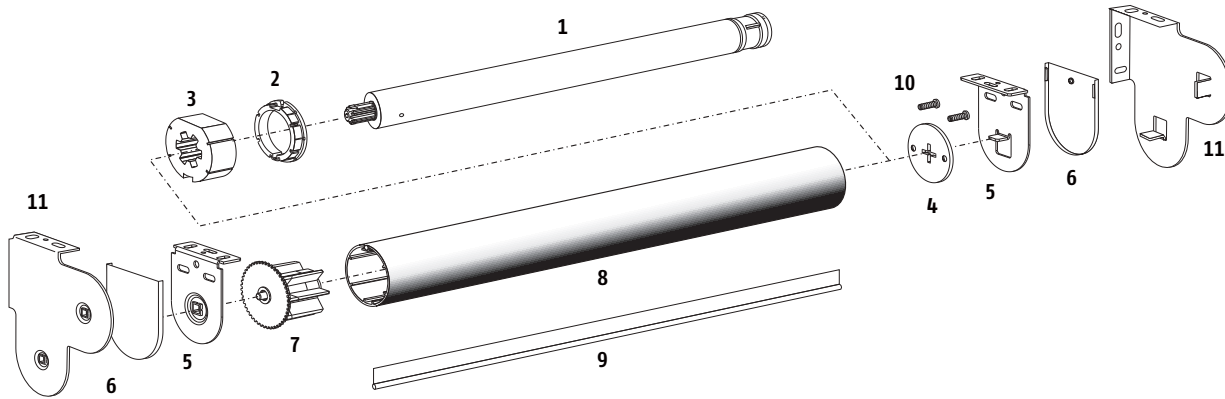


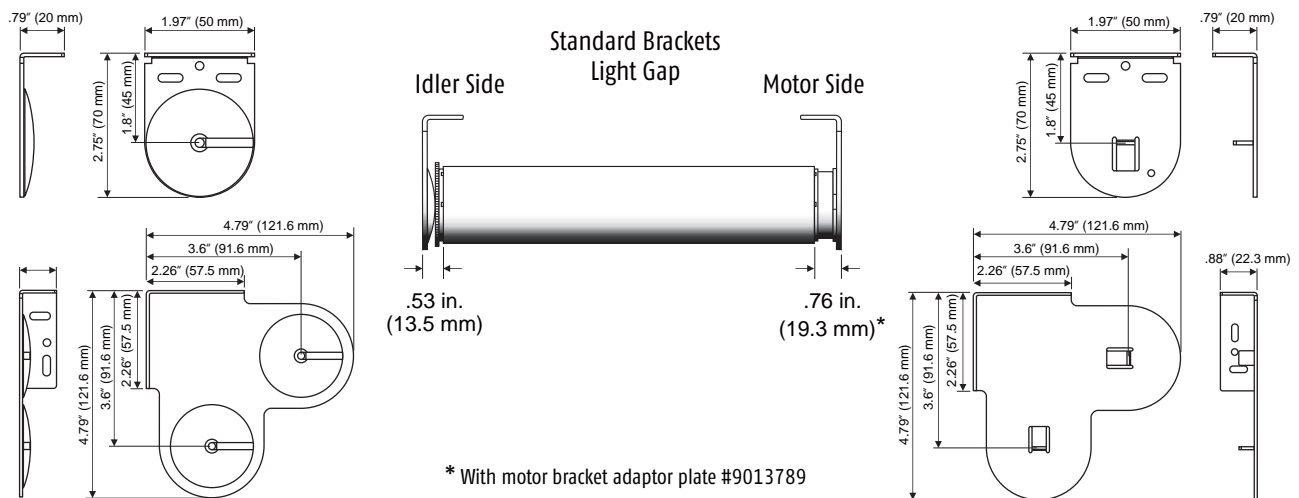
400 SERIES MECHANICAL ACCESSORIES

Acmeda® System

STANDARD BRACKET COMPONENTS



DIMENSIONS AND LIGHT GAP SPECIFICATIONS



PRODUCT CHART

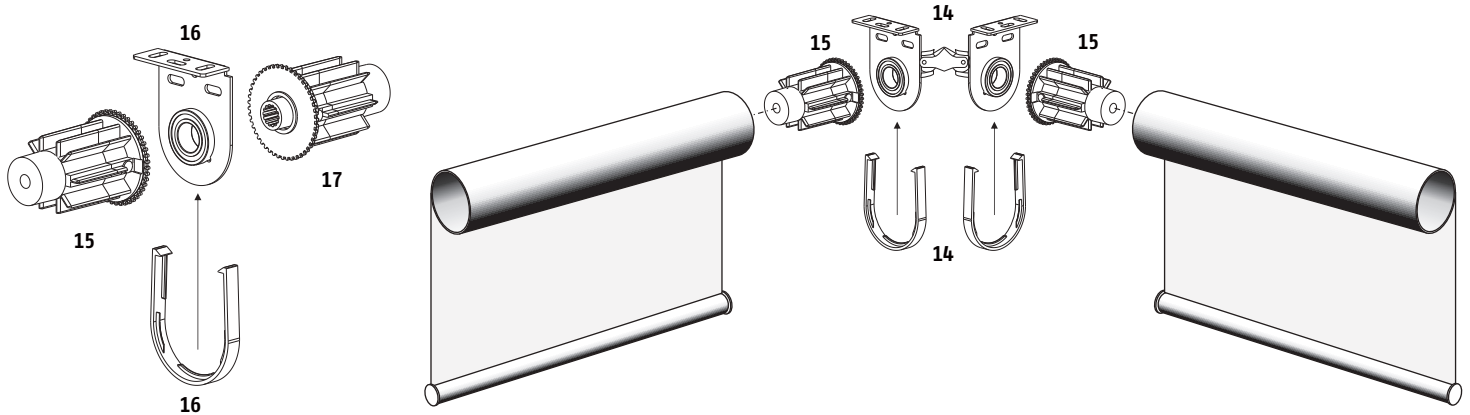
IMAGE	DESCRIPTION	CATALOG NUMBER
1	MOTOR (SONESSE® 40 SHOWN)	REFER TO INDIVIDUAL 400 SERIES SPEC SHEET
2	CROWN ADAPTOR 44 MM TUBE (ACMEDA® TYPE)	9013791
3	DRIVE WHEEL 44 MM (ACMEDA® TYPE)	9013790
4	MOTOR BRACKET ADAPTOR PLATE (ACMEDA® TYPE)	9013789
5	MOTOR & IDLER BRACKET KIT 4OP (ACMEDA® TYPE)	9013778
6	PLASTIC BRACKET COVER 4OP KIT (ACMEDA® TYPE)	9013780
7	IDLER END PLUG 44 MM TUBE (ACMEDA® TYPE)	9013774
8	44 M ALUMINUM TUBE (16 FT. MAX LENGTH)	1780688
9	TUBE SPLINE 44 MM TUBE (ACMEDA® TYPE)	1780687
10	M4 x 12 MM SCREWS	100405B
11	MOTOR BRACKET COMBO SET 122 MM x 122 MM	9013782

Please Note: For maximum torque limitations please refer to manufacturer's specifications.

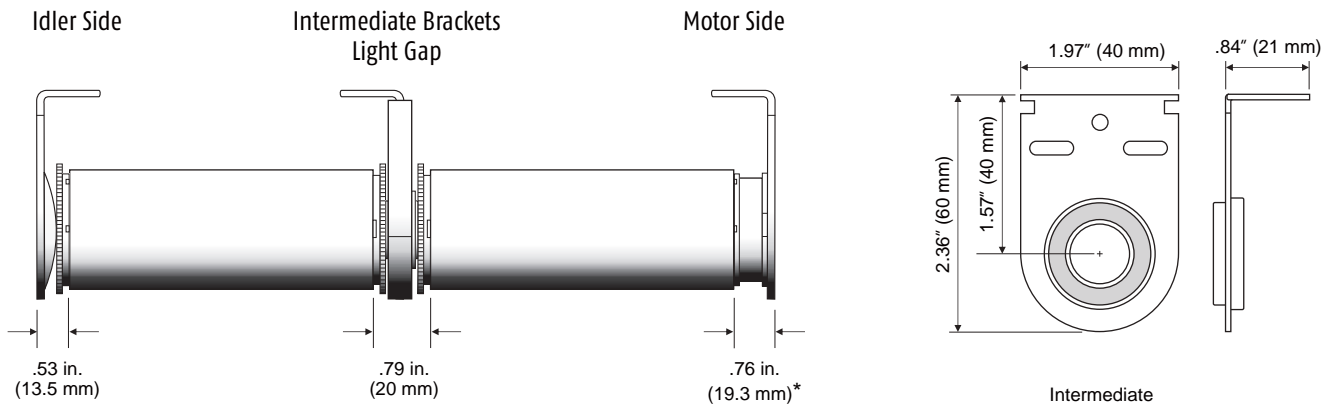
400 SERIES MECHANICAL ACCESSORIES

Acmeda® System

INTERMEDIATE BRACKET COMPONENTS



DIMENSIONS AND LIGHT GAP SPECIFICATIONS



* With motor bracket adaptor plate #9013789

PRODUCT CHART

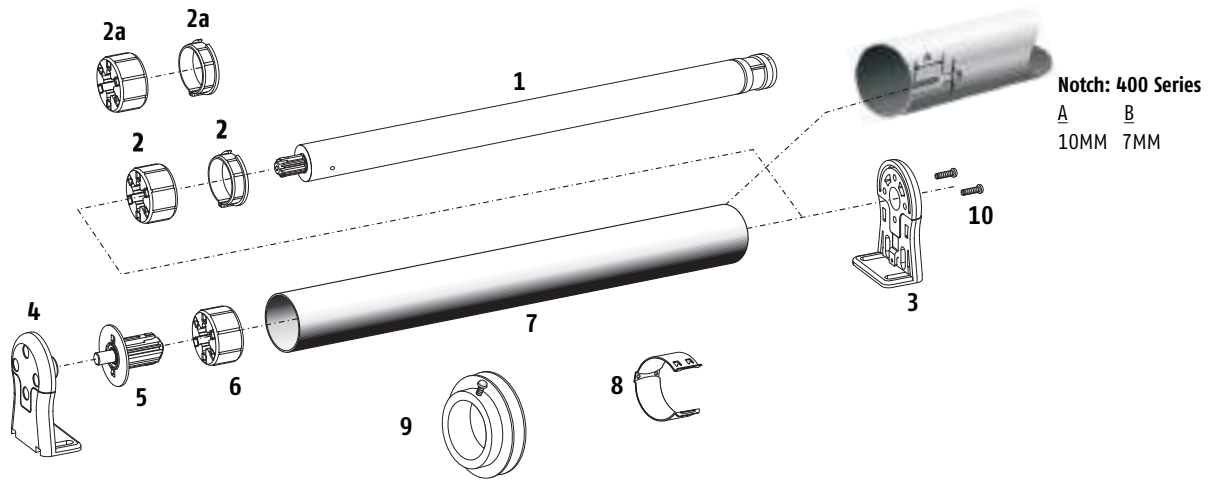
IMAGE	DESCRIPTION	CATALOG NUMBER
14	INTERMEDIATE BRACKET & COVER KIT 40P, 0-90 DEGREES (ACMEDA® TYPE)	9013787
15	INTERMEDIATE MALE IDLER END PLUG (ACMEDA® TYPE)	9013786
16	INTERMEDIATE BRACKET & COVER KIT 40P (ACMEDA® TYPE)	9013783
17	INTERMEDIATE FEMALE IDLER END PLUG (ACMEDA® TYPE)	9013785

Please Note: For maximum torque limitations please refer to manufacturer's specifications.

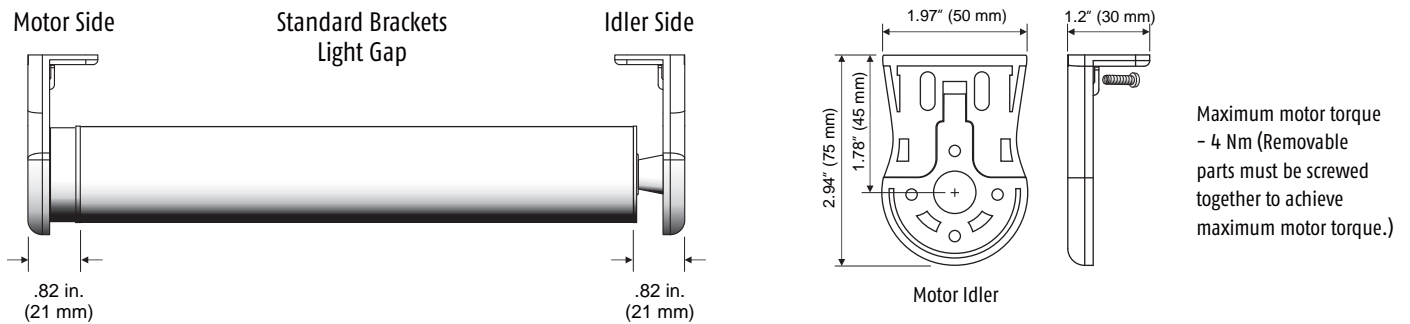
400 SERIES MECHANICAL ACCESSORIES

Somfy Decorator Type

STANDARD BRACKET COMPONENTS



DIMENSIONS AND LIGHT GAP SPECIFICATIONS



PRODUCT CHART

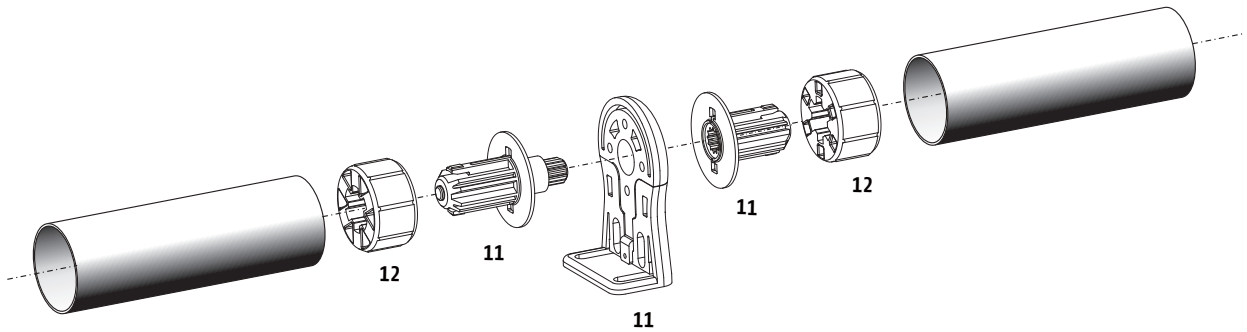
IMAGE	DESCRIPTION	CATALOG NUMBER
1	MOTOR (SONESSE® 40 SHOWN)	REFER TO INDIVIDUAL 400 SERIES SPEC SHEET
2	CROWN AND DRIVE (SOMFY 40 MM x 1.5 MM ROUND TUBE)	9012224
2a	CROWN AND RUBBERIZED DRIVE (SOMFY 40 MM x 1.5 MM ROUND TUBE)	9016654
3	MOTOR BRACKET (DECORATOR TYPE)*	9500683
4	IDLER END BRACKET (DECORATOR TYPE)*	9500685
5	IDLER END PLUG (8 MM DIA. PIN-DECORATOR TYPE)	9500688
6	40 MM ROUND DRIVE ONLY (FOR USE WITH IDLER END PLUG)	9147544
7	SOMFY 40 MM ROUND TUBE (20 FT. MAX LENGTH)	1781153
8	CORD CLIPS FOR ROMAN SHADE APPLICATIONS	9012200
9	CORD TAKE-UP REEL (40 MM TUBE)	1781152
10	M4 x 12 MM SCREWS	1004058

*Maximum motor torque - 4 Nm. (Removable parts must be screwed together to achieve maximum motor torque.)

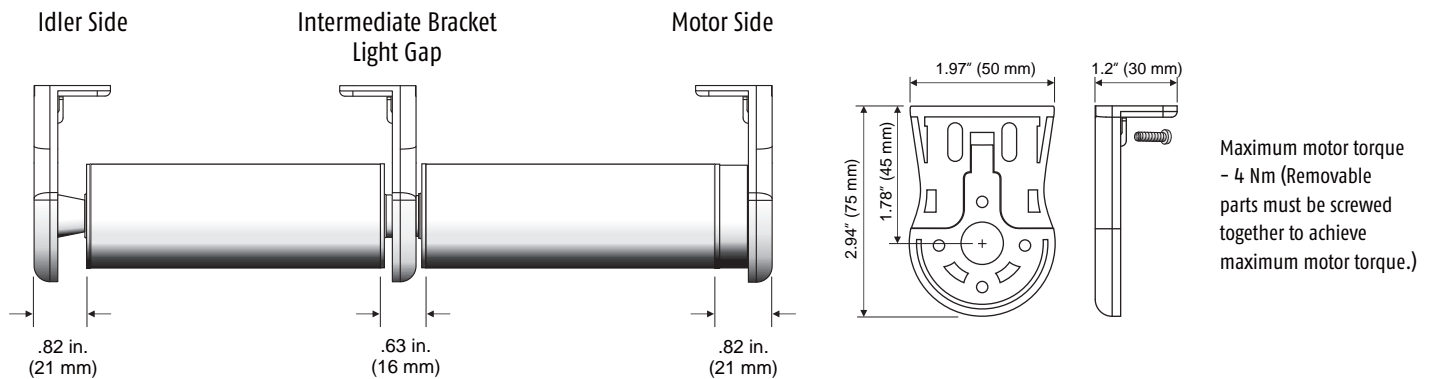
400 SERIES MECHANICAL ACCESSORIES

Somfy Decorator Type

INTERMEDIATE BRACKET COMPONENTS



DIMENSIONS AND LIGHT GAP SPECIFICATIONS



PRODUCT CHART

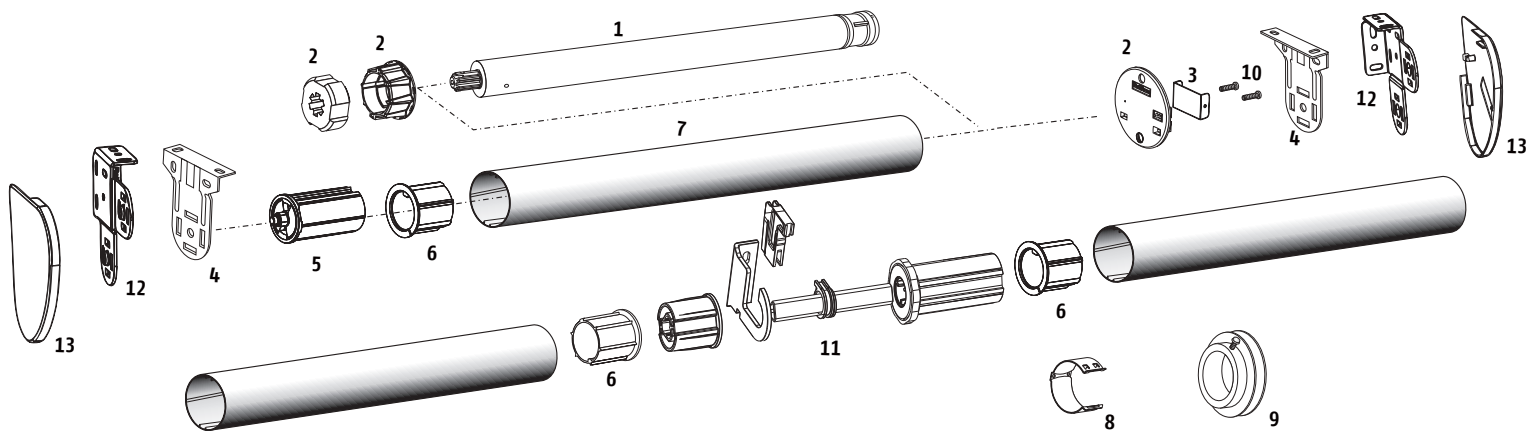
IMAGE	DESCRIPTION	CATALOG NUMBER
11	INTERMEDIATE BRACKET KIT (DECORATOR TYPE)*	9500687
12	40 MM ROUND DRIVE ONLY (FOR USE WITH INT. BRACKET)	9147544

*Maximum motor torque - 4Nm (Removable parts must be screwed together to achieve maximum motor torque.)

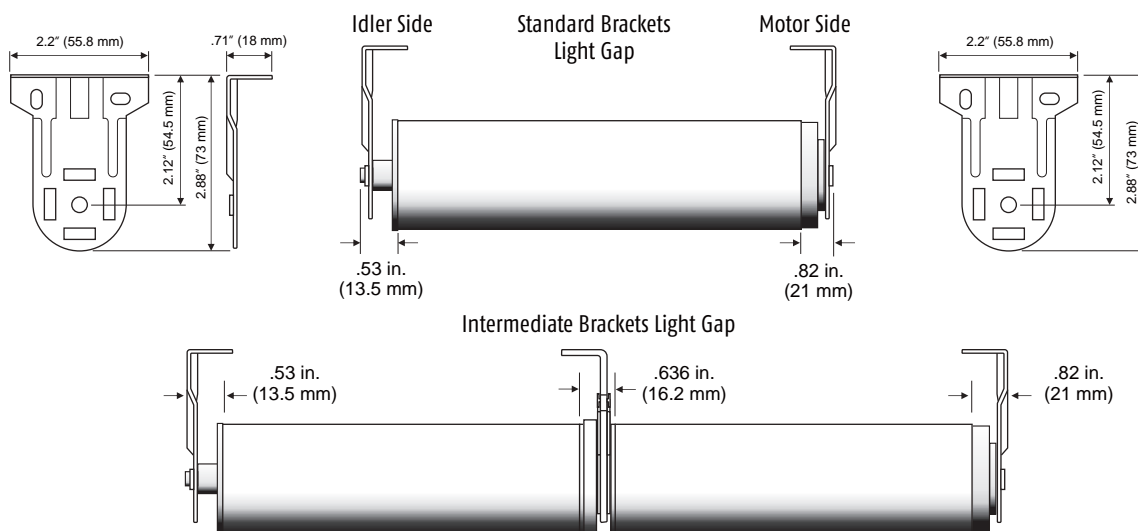
400 SERIES MECHANICAL ACCESSORIES

RollEase® Skyline

STANDARD BRACKET COMPONENTS



DIMENSIONS AND LIGHT GAP SPECIFICATIONS



PRODUCT CHART

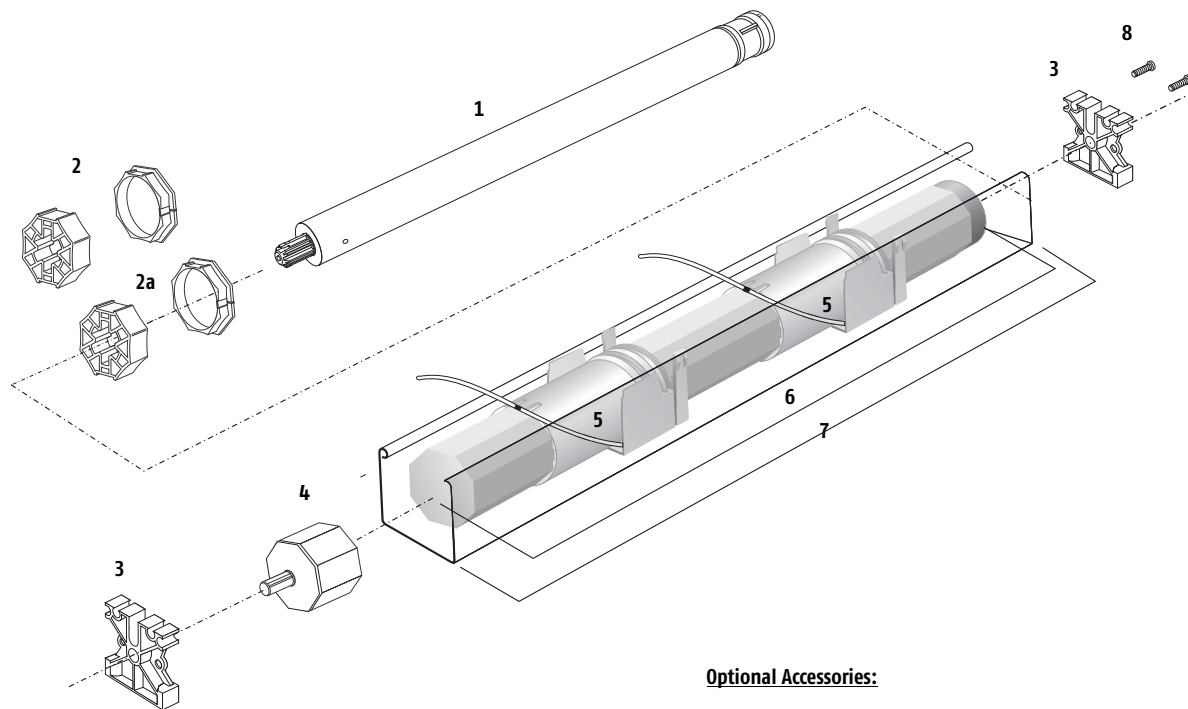
IMAGE	DESCRIPTION	CATALOG NUMBER
1	MOTOR (SONESSE® 40 SHOWN)	REFER TO INDIVIDUAL 400 SERIES SPEC SHEET
2	CROWN AND DRIVE WITH SKYLINE MOTOR MOUNT PLATE FOR ROLLEASE® 2" TUBE	9016352
3	MOTOR MOUNT CLIP	9017255
4	ROLLEASE® SKYLINE SERIES BRACKETS 2"	9016325
5	ROLLEASE® SKYLINE SERIES IDLER END PLUG	5059165
6	IDLER ADAPTOR COLLAR 2" PROFILE TUBE	9016366
7	ROLLEASE® 2" TUBE	1781798
8	CORD CLIPS FOR ROMAN SHADE APPLICATIONS 2" TUBE	9138028
9	TAKE-UP REEL - ROLLEASE 2" TUBE	1781151
10	M4 x 12 MM SCREWS	100405B
11	ROLLEASE® SKYLINE SERIES INTERMEDIATE LINK SYSTEM	9016367
12	ROLLEASE® DOUBLE BRACKET	9016616
13	ROLLEASE® DOUBLE BRACKET COVERS	9017267

Please Note: For maximum torque limitations please refer to manufacturer's specifications.

400 SERIES MECHANICAL ACCESSORIES

Somfy CTS 40

CORD TAKE-UP SYSTEM (CTS)



Optional Accessories:



- 1781134 - 2" Slat Clips for Wood Blinds (White)
- 1781135 - 2" Slat Clips for Wood Blinds (Ivory)
- 1781136 - 2" Slat Clips for Wood Blinds (Brown)



1781133 - Ladder Crimp

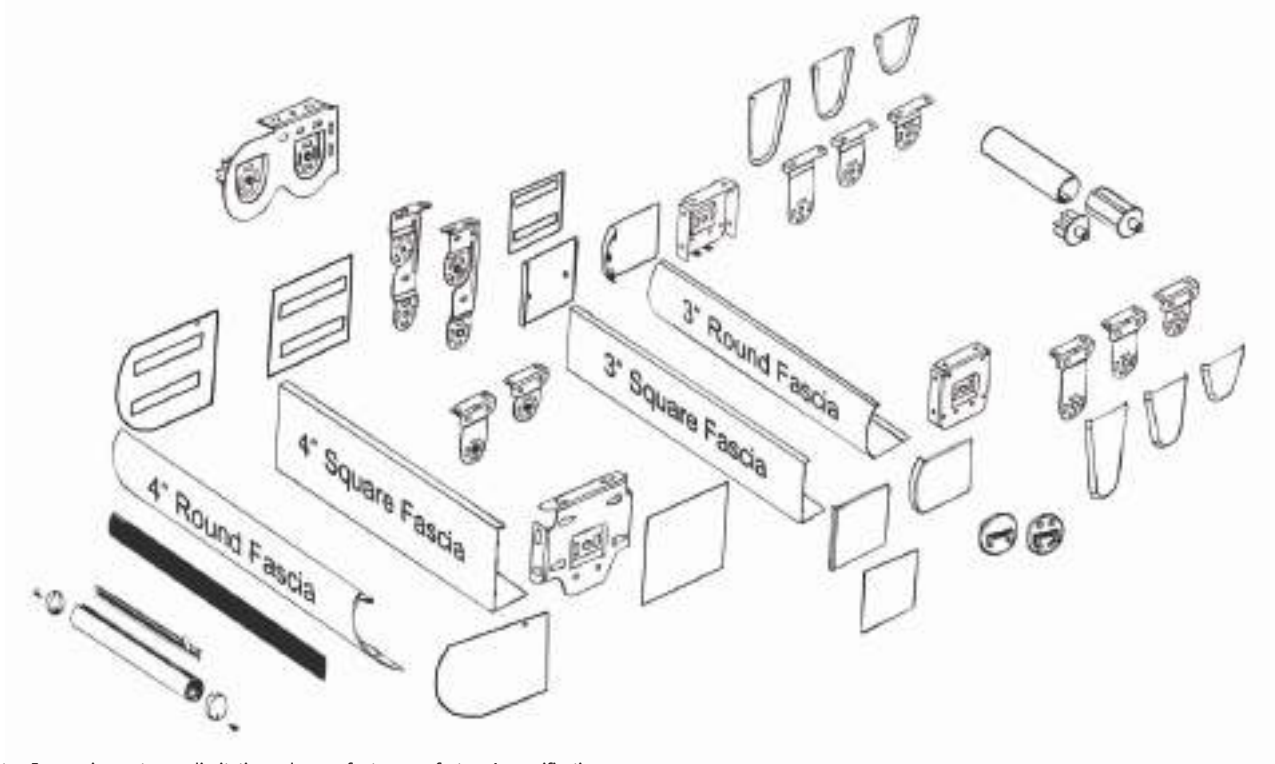
PRODUCT CHART

IMAGE	DESCRIPTION	CATALOG NUMBER
1	MOTOR (SONESSE® 40 SHOWN)	REFER TO INDIVIDUAL 400 SERIES SPEC SHEET
2	CROWN AND DRIVE KIT (40 MM OCTAGONAL TUBE)	9012225
2a	CROWN AND RUBBERIZED DRIVE KIT (40 MM OCTAGONAL TUBE)	9016655
3	MOTOR / IDLER BRACKET (FOR 57 MM x 51 MM HEADRAIL)	9500736
4	IDLER END PLUG FOR 40 MM OCTAGONAL TUBE	9012274
5	CTS 40 (FOR 57 MM x 41 MM HEADRAIL)	1781118
6	SOMFY 40 MM OCTAGONAL TUBE (20 FT. MAX LENGTH)	1781154
7	57 MM x 51 MM (2" x 2 1/4") GUTTER RAIL OR SIMILAR	CONTACT MANUFACTURER
8	M4 x 12 MM SCREWS	100405B

BRACKET, FASCIA, AND CASSETTE SOLUTIONS

RollEase®

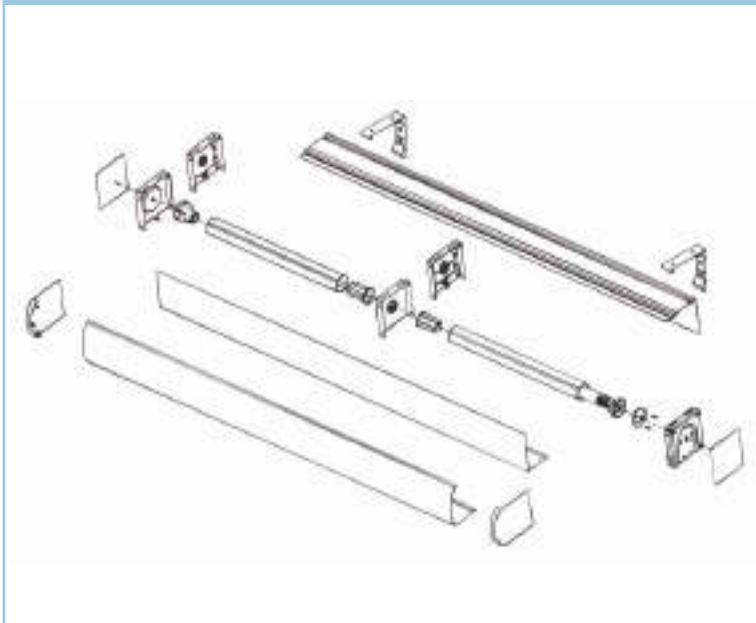
SKYLINE™ BRACKET AND FASCIA ACCESSORIES



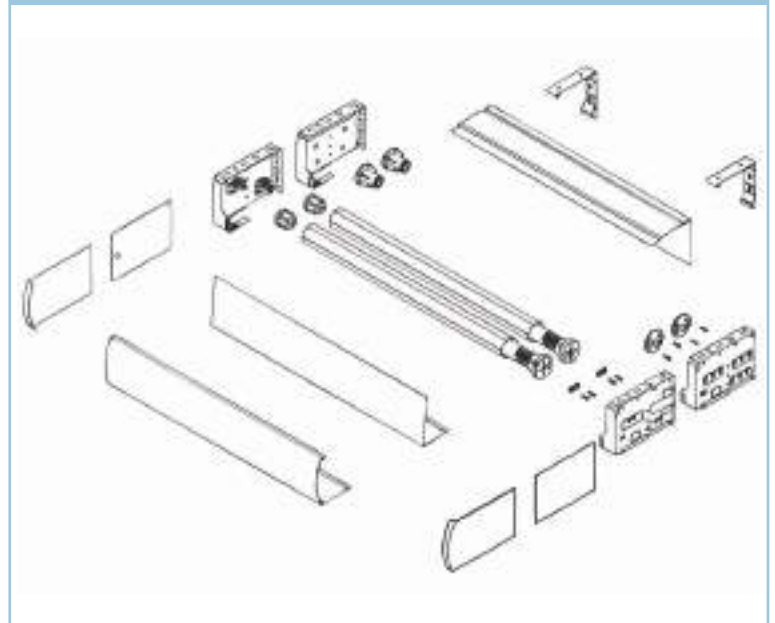
Please Note: For maximum torque limitations please refer to manufacturer's specifications

BRACKET, FASCIA, AND CASSETTE SOLUTIONS > ZMC®

INTERMEDIATE BRACKET SOLUTIONS



DUO SHADE FASCIA COMPONENTS



Please Note: For maximum torque limitations please refer to manufacturer's specifications