

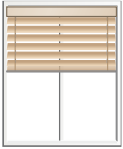
Tilt 50 WireFree™ RTS

Part # 1002822



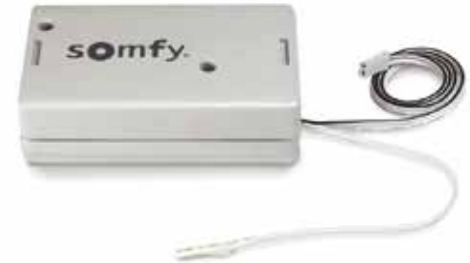
Offers control via Radio Technology Somfy® (RTS)

Applications



2" Horizontal Blinds

- Tilt only
- Features Somfy patented Modulus control, capable of precision tilting of blind slats.



Technical Features

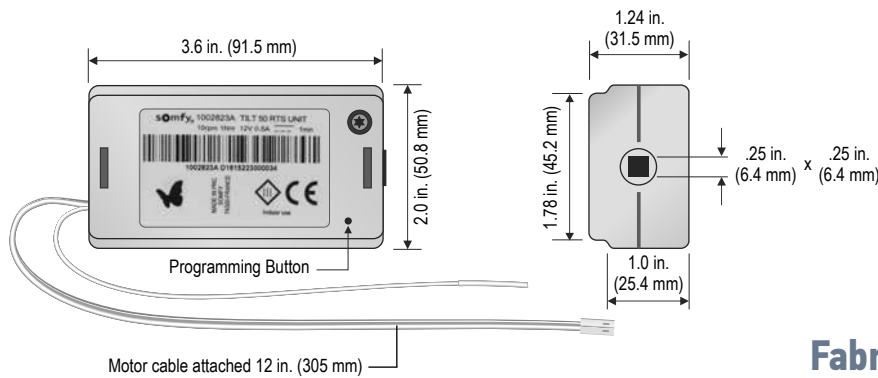
Voltage Supply	DC
Index Protection Rating	IP 20
Limit Switch Type	Electronic

Temperature Working Range 32°F to 140°F (0°C to 60°C)

Insulation Class Class III

Antenna RF antenna wire must be positioned outside of headrail and should not come in contact with metal surfaces for greatest RF range. RF wire may need to be repositioned for optimal performance. Antenna wire must not be cut.

Dimensions - in. (mm)



Fabrication Recommendations

- Steel or aluminum headrails can be used.
- Headrail adaptor is required.
- Somfy requires Energizer® Lithium batteries #L91 that provide patented safety protection.











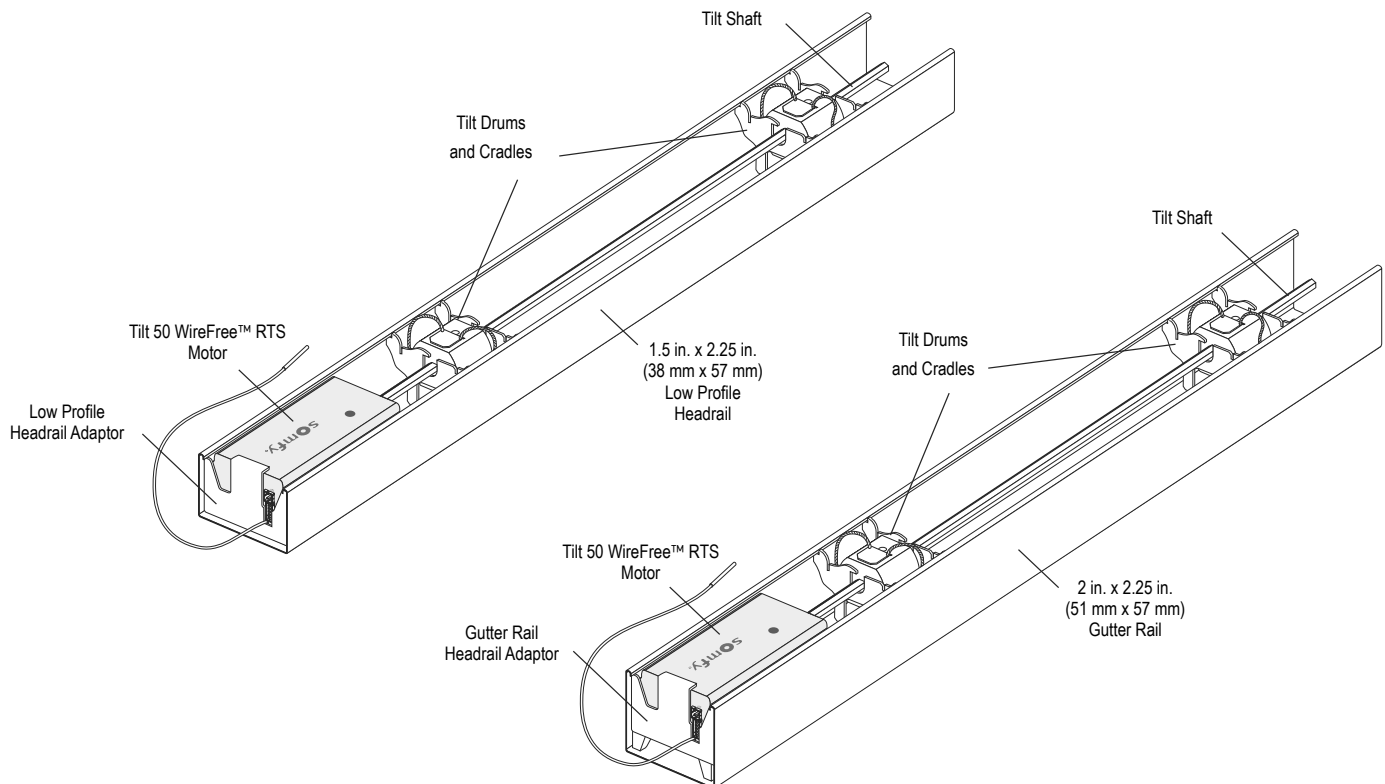
Performances Tilt 50 WireFree™ RTS

Voltage	12V DC
Torque	.6 Nm
Sound Level	44 dBA at 5 rpm with rubberized headrail adaptor
Speed	10 rpm
Slow Speed Option	5 rpm

Tilt 50 WireFree™ RTS Hardware Systems and Accessories

TILT 50 WIREFREE™ RTS COMPONENTS

SYSTEM TYPE	HEADRAIL PROFILE	HEADRAIL ADAPTORS	SHAFT ADAPTORS		
1.5 in. x 2.25 in. (38 mm x 57 mm) Low Profile Headrail		 Low Profile Headrail Adaptor 9014528	 5.6 mm Hexagonal Adaptor 9014535	 D Rod Adaptor 9014536	 4 mm Square Adaptor 9014540
1.5 in. x 2.25 in. (38 mm x 57 mm) Low Profile Graber®/Bali® (SureClose™)					
2 in. x 2.25 in. (51 mm x 57 mm) Gutter Rail		 Gutter Rail Headrail Adaptor 9014529			



WireFree Control Accessories

Learn more about controls and accessories and download the RTS brochure at www.somfy.com/controls

RADIO TECHNOLOGY SOMFY® (RTS)



TELIS HAND-HELD REMOTE COLLECTION



Telis 1 RTS Pure
Single Channel
Remote
1810632



Telis 4 RTS Pure
Five Channel
Remote
1810633



Telis 1 RTS Silver
Single Channel
Remote
1810639



Telis 4 RTS Silver
Five Channel
Remote
1810641



Telis 1 RTS Lounge
Single Channel
Remote
1810650



Telis 4 RTS Lounge
Five Channel
Remote
1810652



Telis 1 RTS Patio
Single Channel
Remote
1810643



Telis 4 RTS Patio
Five Channel
Remote
1810645



Telis 1 Modulis
RTS Pure with scroll
wheel for precision
tilting of blind slats
1811234



Telis 4 Modulis
RTS Pure with scroll
wheel for precision
tilting of blind slats
1811235



Telis 16 Channel RTS
Pure Remote with
On-screen display
1811081



Telis 16 Channel RTS
Silver Remote with
On-screen display
1811082



Telis 1 Chronis RTS
Pure Timer
1805237



Telis 1 Chronis RTS
Silver Timer
1805238

DECOFLEX WIREFREE™ WALL SWITCHES



DecoFlex 1 Channel RTS
WireFree™ Wall Switch



DecoFlex 2 Channel RTS
WireFree™ Wall Switch



DecoFlex 3 Channel RTS
WireFree™ Wall Switch



DecoFlex 4 Channel RTS
WireFree™ Wall Switch



DecoFlex 5 Channel RTS
WireFree™ Wall Switch



Smooove® 1 RTS Pure

- Battery-operated convenience
- Surface mounts with ease
- Frames available in 7 colors

- Wall Switches shown in white. Also available in black and ivory finishes.
- Shown assembled with printed channel buttons.
- Custom engraved buttons are also available.



TABLE TOP ACCESSORIES



DecoFlex WireFree™ RTS
Table Top Accessory Black
1811051*



DecoFlex WireFree™ RTS
Table Top Accessory Silver
1810972*



DecoFlex WireFree™ RTS
Table Top Accessory White
1811185*

*DecoFlex Switch sold separately from Table Top Accessory.

WireFree Control Accessories

Learn more about controls and accessories and download the RTS brochure at www.somfysystems.com/controls

RADIO TECHNOLOGY SOMFY® (RTS)



INDOOR RTS SENSORS



Sunis Indoor
WireFree™ RTS
9013707



ThermoSunis Indoor
WireFree™ RTS
9013708

RTS REPEATER



RTS Repeater
(extends RTS range)
1810791

RTS MOTOR INTERFACES



ZRTSI II



Z-Wave® to RTS Interface2
Integrates Somfy RTS motorized applications with Z-Wave® control systems.

1811265

myLink™



RTS Smart Phone and Tablet Interface

Control shades while home or away using your tablet or smartphone. A simple on-screen setup wizard helps users create timed events, scenes and more. Compatible with iOS and Android.

www.somfysystems.com/mylink

1811403

16 CHANNEL RTS INTERFACE



Universal RTS Interface 16-Channel
(Converts IR, RS232, RS485 to RTS)

1810872

SOMFY CONNECT™ LTI



Integrates Somfy RTS and Somfy Digital Network™ (SDN) motorized applications with RadioRA® 2, Homeworks® QS, GRAFIF Eye® QS, and Quantum® control systems.

1870210

SOMFY CONNECT™ UNIVERSAL AUTOMATION INTERFACE (UAI)



Commission and integrate Somfy-powered SDN solutions over IP.

1870264

DRY CONTACT



RTS Dry Contact Interface
Single Channel

1810493

NOTE: For additional information regarding ZigBee® or Z-Wave® controls, contact Somfy Systems, Inc.

WireFree Power Accessories

WIREFREE ACCESSORIES

Solar Recharge Kit



9019034

(Includes: Solar panel, reloadable battery tube, 4 panel mounting brackets, 2 battery clips, "Y" harness and glass mount adhesive)

Complete with 10 Ni-MH Batteries 9019235

Ni-MH Rechargeable Battery Tube Only



9018684

- Requires 10 Ni-MH batteries

For use with battery charger #9018620

Plug-in AC Battery Rapid Charger



9018620

Required for charging Ni-MH batteries prior to installation

For use with solar kit #9019034/9019235 and battery Ni-MH tube #9018684

Extension Cables



10" - 9018623

48" - 9016736

96" - 9018624

- For connection to "Y" harness
- For connection to all battery tubes

Mounting Clips for Battery Tubes



9013263

For use with solar kit #9019034/9019235 and battery Ni-MH tube #9018685

Solar Panel Mounting Bracket Kit



9015897

(Included with solar kit)

BATTERIES AND ACCESSORIES

Single 12V DC Reloadable Battery Tube



9018685

- For use with all 12V DC WireFree motors
- Requires reloadable battery tube and 8 AA lithium batteries

Dual 12V DC Reloadable Battery Tube "Y" Harness



9018625

- Used to connect (2) 12V DC reloadable battery tubes to extend battery life
- For use with 2 lithium battery wands only (9018685)

4 AA Lithium Battery Package



9013231

(2 needed for battery tube #9014020)

8 AA Lithium Battery Package Tubes



9014834

(for battery tube #9014020)

10 PACK Ni-MH Batteries



9018621

(for solar kit #9019034 & battery tube #9018684)

Mounting Clips for Battery Tubes



9013263

Included with battery tube #9018685

TRANSFORMERS AND ACCESSORIES

12V DC Plug-in Transformer



1822445

For use with R28, CL32 and Tilt 50

12V DC 10A Din Rail Mount Power Supply



9018760

(for hard-wired installations)

14" Din Rail for Power Supply



9011975