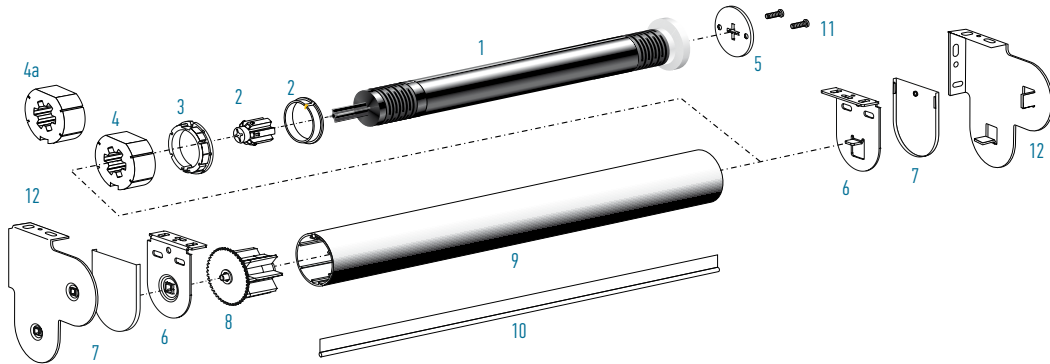
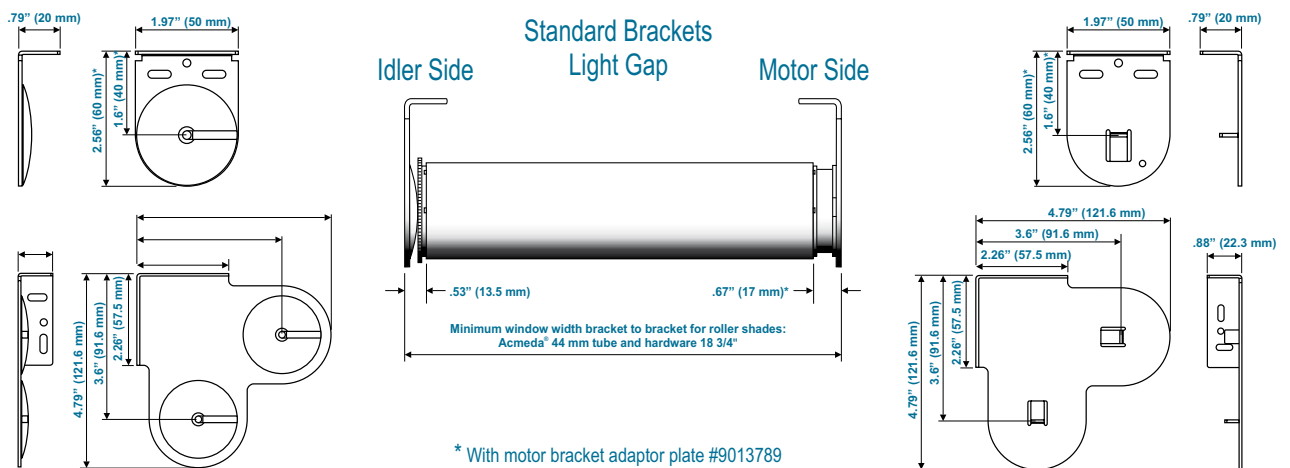


SONESSE® 30 HARDWARE SYSTEMS - Acmeda®

STANDARD BRACKET COMPONENTS



DIMENSIONS AND LIGHT GAP SPECIFICATIONS

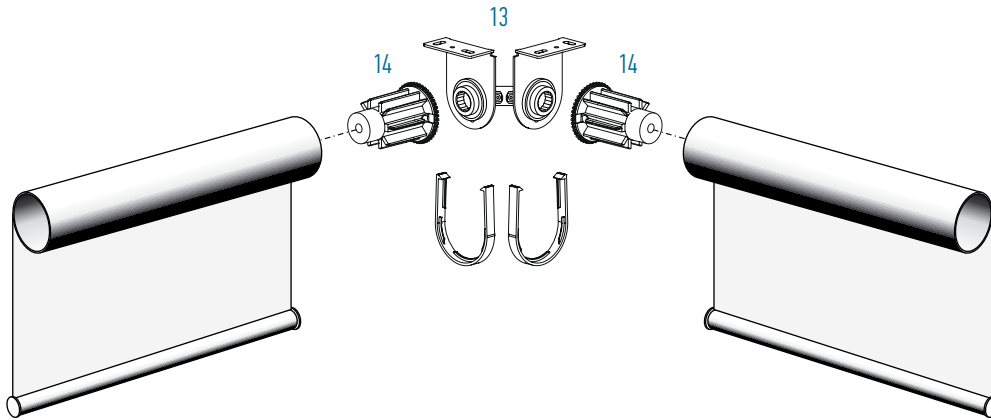


PRODUCT CHART

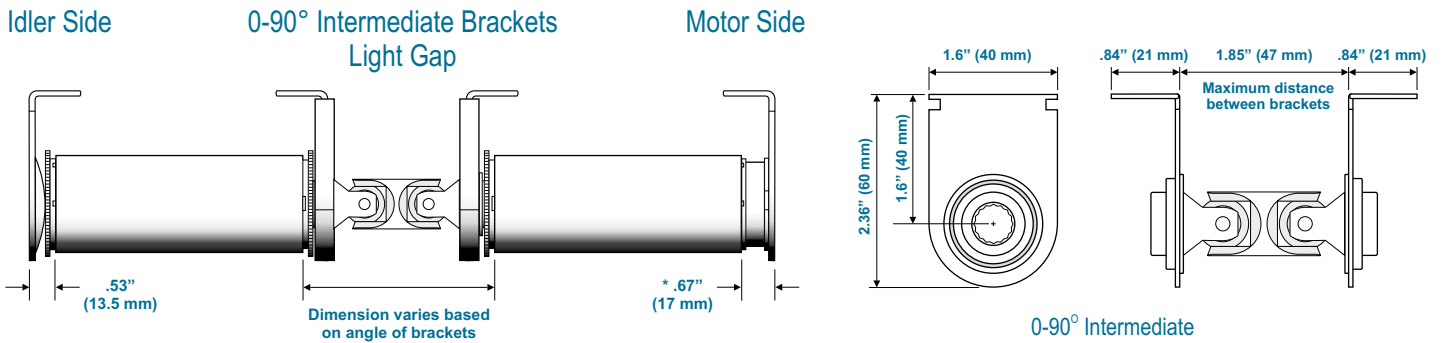
IMAGE	DESCRIPTION	CATALOG NUMBER
1	SONESSE® 30 MOTOR (RTS) #1001524, RS485 #1000658, DTC #1000668	
2	SONESSE® 30 TO LS40 ADAPTOR KIT (Required part for conversion)	9013776
3	CROWN ADAPTOR 44 MM TUBE (ACMEDA TYPE)	9013791
4	DRIVE WHEEL 44 MM (ACMEDA TYPE)	9013790
4A	SILENT DRIVE WHEEL 44 MM (ACMEDA TYPE)	9015259
5	MOTOR BRACKET ADAPTOR PLATE (ACMEDA TYPE)	9013789
6	MOTOR & IDLER BRACKET KIT 40P (ACMEDA TYPE)	9013778
7	PLASTIC BRACKET COVER 40P KIT (ACMEDA TYPE)	9013780
8	IDLER END PLUG 44 MM TUBE (ACMEDA TYPE)	9013774
9	44 MM ALUMINUM TUBE (16 FT. MAX LENGTH)	1780688
10	TUBE SPLINE 44 MM TUBE (ACMEDA TYPE)	1780687
11	M 3.5 x 9 MM SCREWS	9014066
12	MOTOR BRACKET COMBO SET 122 MM x 122 MM	9013782

SONESSE® 30 HARDWARE SYSTEMS - Acmeda®

INTERMEDIATE BRACKET COMPONENTS



DIMENSIONS AND LIGHT GAP SPECIFICATIONS



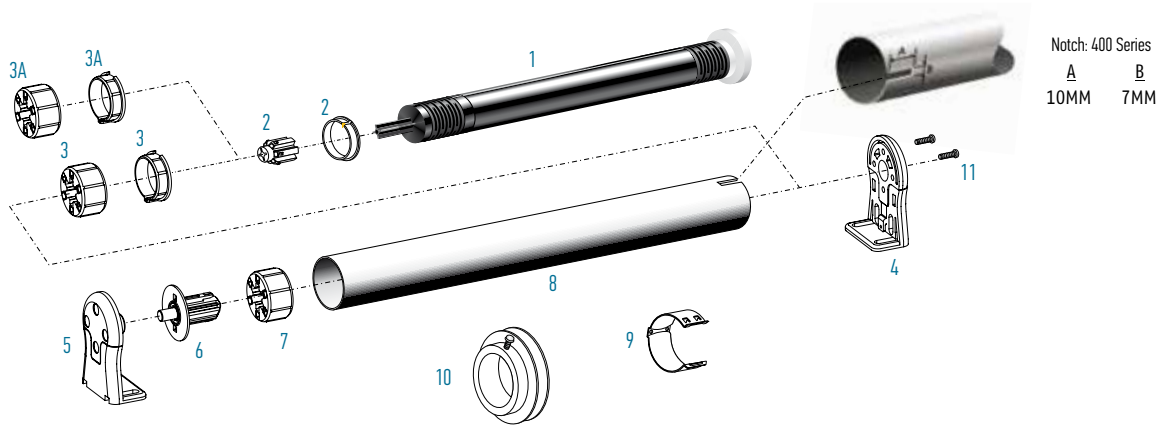
* With motor bracket adaptor plate #9013789

PRODUCT CHART

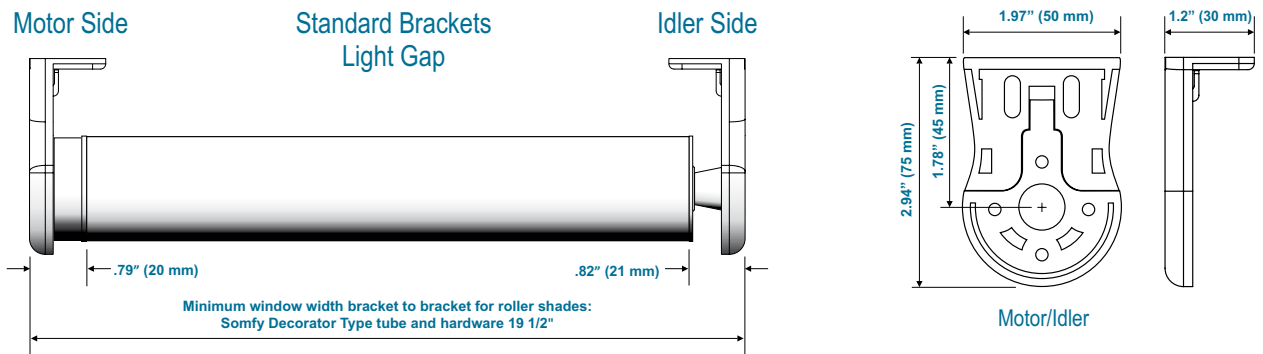
IMAGE	DESCRIPTION	CATALOG NUMBER
13	INTERMEDIATE BRACKET & COVER KIT 40P, 0-90 DEGREES (ACMEDA TYPE)	9013787
14	INTERMEDIATE MALE IDLER END PLUG (ACMEDA TYPE)	9013786

SONESSE® 30 HARDWARE SYSTEMS - Somfy® Decorator Type

STANDARD BRACKET COMPONENTS



DIMENSIONS AND LIGHT GAP SPECIFICATIONS

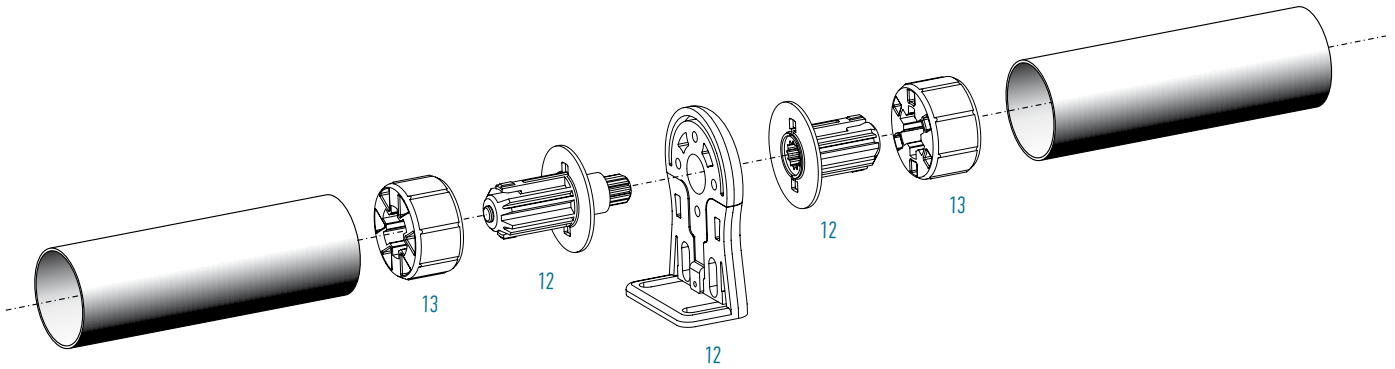


PRODUCT CHART

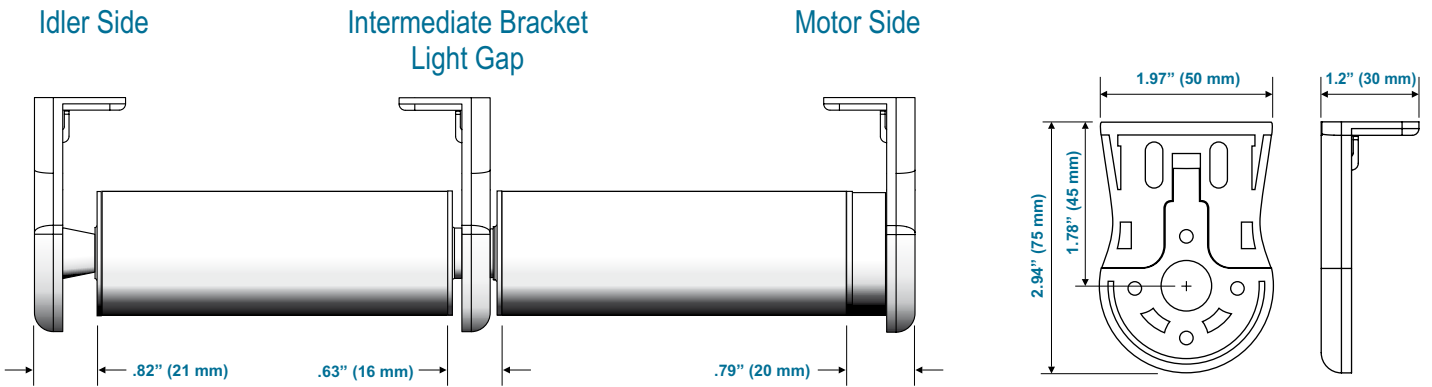
IMAGE	DESCRIPTION	CATALOG NUMBER
1	SONESSE® 30 MOTOR (RTS) #1001524, RS485 #1000658, DTC #1000668	
2	SONESSE® 30 TO LS40 ADAPTOR KIT (Required part for conversion)	9013776
3	CROWN AND DRIVE (SOMFY 40 MM x 1.5 MM ROUND TUBE)	9012224
3A	CROWN AND RUBBERIZED DRIVE (SOMFY 40 MM x 1.5 MM ROUND TUBE)	9016654
4	MOTOR BRACKET (DECORATOR TYPE)	9500683
5	IDLER END BRACKET (DECORATOR TYPE)	9500685
6	IDLER END PLUG (DECORATOR TYPE)	9500688
7	40 MM ROUND DRIVE (FOR USE WITH IDLER END PLUG)	9147544
8	SOMFY 40 MM ROUND TUBE (20 FT. MAX LENGTH)	1781153
9	CORD CLIPS FOR ROMAN SHADE APPLICATIONS	9012200
10	CORD TAKE-UP REEL (40 MM TUBE)	1781152
11	M3.5 x 9 MM SCREWS (Must be ordered separately when used with Sonesse® 30 motor range.)	9014066

SONESSE® 30 HARDWARE SYSTEMS - Somfy® Decorator Type

INTERMEDIATE BRACKET COMPONENTS



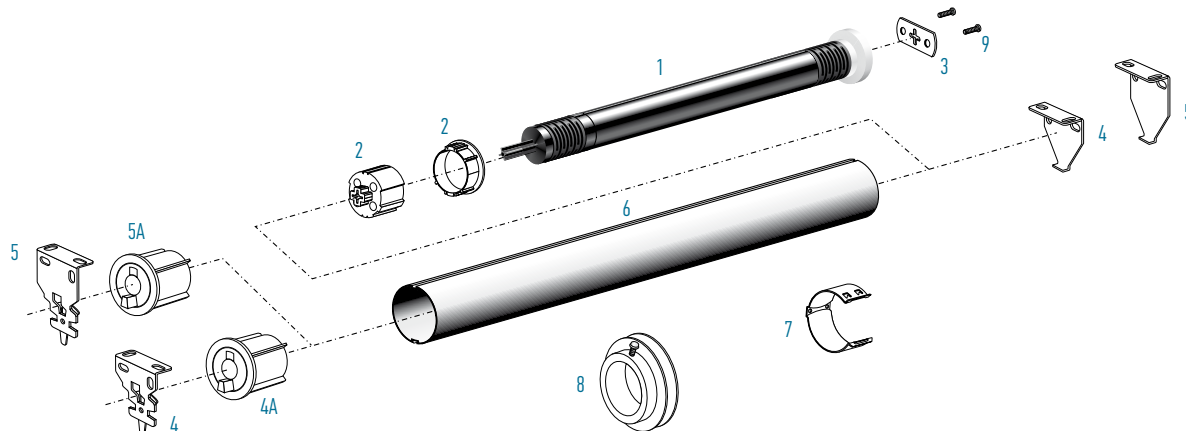
DIMENSIONS AND LIGHT GAP SPECIFICATIONS



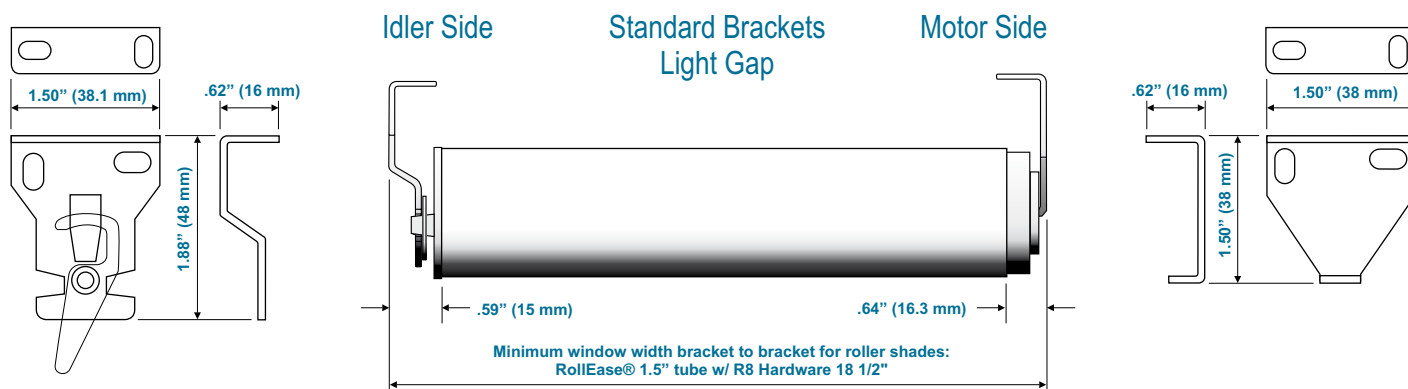
PRODUCT CHART

IMAGE	DESCRIPTION	CATALOG NUMBER
12	INTERMEDIATE BRACKET KIT (DECORATOR TYPE)	9500687
13	40 MM ROUND DRIVE (FOR USE WITH INTERMEDIATE BRACKET)	9147544

STANDARD BRACKET COMPONENTS



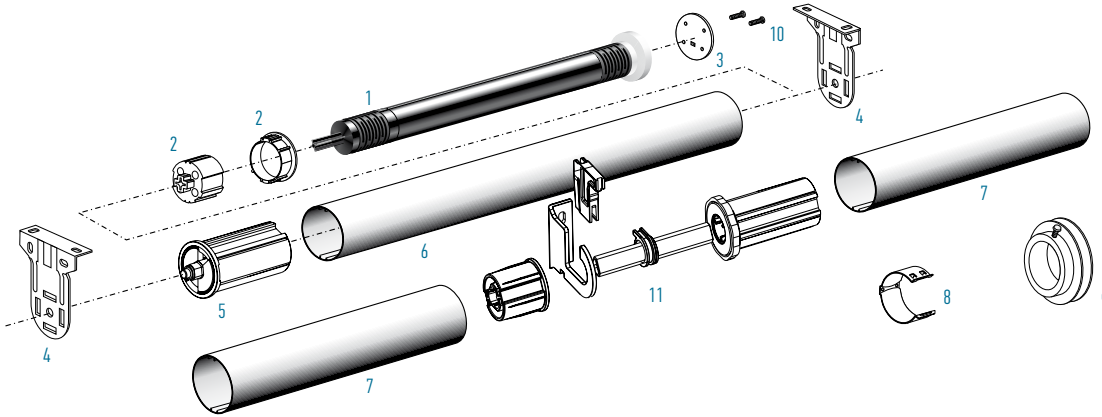
DIMENSIONS AND LIGHT GAP SPECIFICATIONS



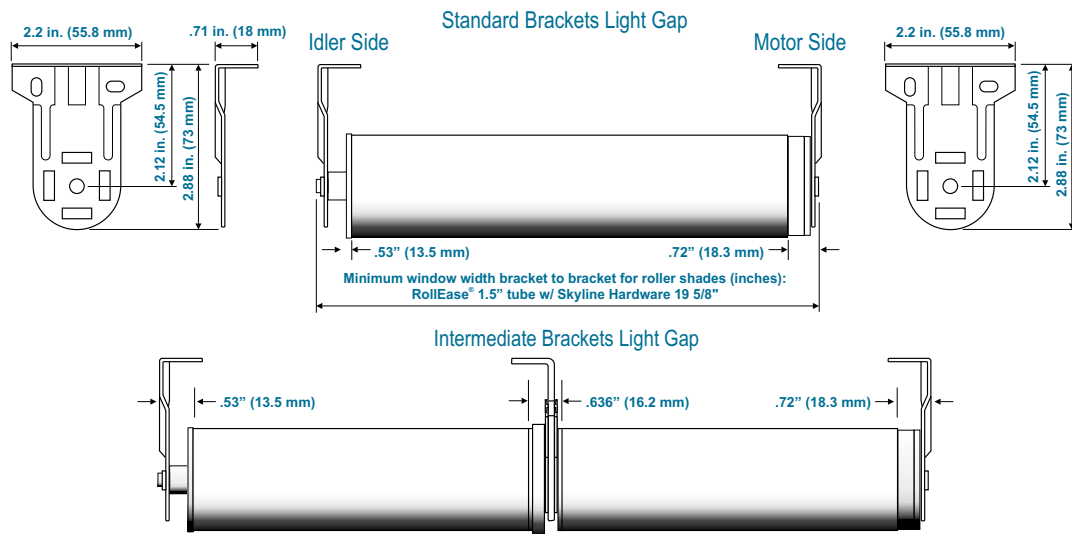
PRODUCT CHART

IMAGE	DESCRIPTION	CATALOG NUMBER
1	SONESSE® 30 MOTOR (RTS) #1001524, RS485 #1000658, DTC #1000668	
2	CROWN AND DRIVE FOR ROLLEASE® 1.5" TUBE	9013775
3	MOTOR ADAPTOR PLATE FOR ROLLEASE® R8 BRACKET WITH SCREWS	9014073
4	ROLLEASE® 1.5" BRACKET KIT R8 SERIES FOR SOMFY 40 MM ROUND TUBE	9012311
5	ROLLEASE® 1.5" PROJECTION BRACKET KIT R8 SERIES & ZMC® 1.5" PROJECTION XR-SERIES BRACKETS	CONTACT SOMFY/ZMC
6	ROLLEASE® 2" BRACKET KIT R8 SERIES FOR SOMFY® 2" ROUND TUBE	9012313
7	ROLLEASE® 1.5" TUBE	9017913
8	ZMC® 1.5" Z-TUBE	CONTACT ZMC
9	CORD CLIPES (FOR ROLLEASE® 1.5" TUBE & ZMC® 1.5" Z-TUBE)	9012200
10	TAKE-UP REEL (FOR ROLLEASE® 1.5" TUBE & ZMC® 1.5" Z-TUBE)	1780786
11	M3.5 x 9 MM SCREWS	9014066
12	MOTOR PLATE 9012258 (ROLLEASE® MOTOR BRACKET ACCES. R8 SERIES)	9012258

STANDARD BRACKET COMPONENTS



DIMENSIONS AND LIGHT GAP SPECIFICATIONS

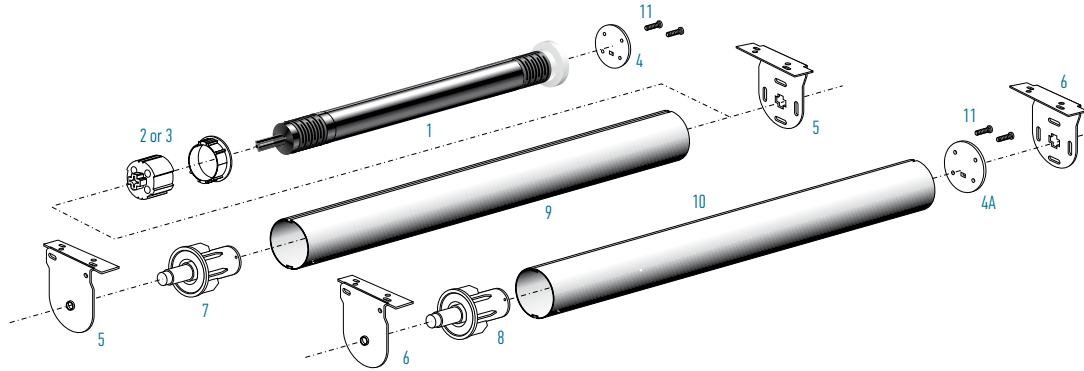


PRODUCT CHART

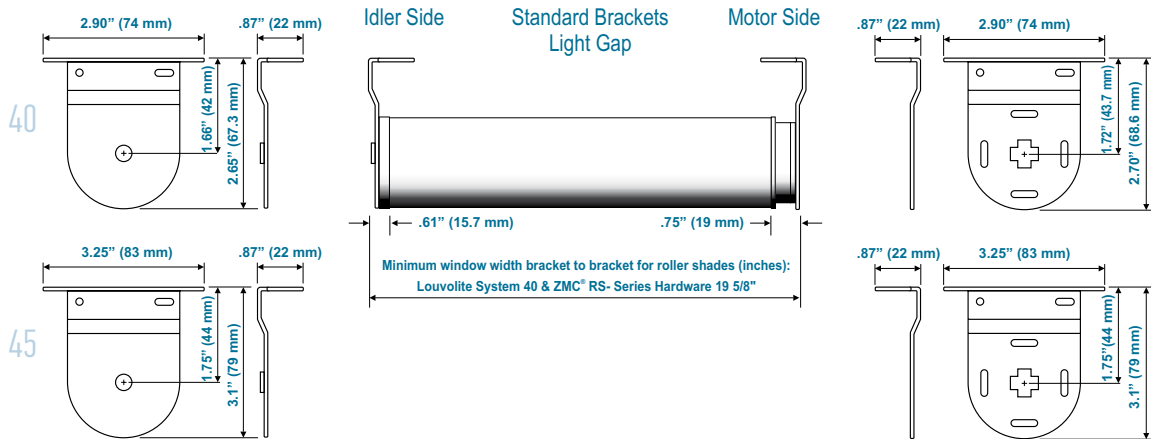
IMAGE	DESCRIPTION	CATALOG NUMBER
1	SONESSE® 30 MOTOR (RTS) #1001524, RS485 #1000658, DTC #1000668	
2	CROWN AND DRIVE (FOR ROLLEASE® 1.5" TUBE & ZMC® 1.5" Z-TUBE)	9013775
3	MOTOR ADAPTOR PLATE FOR ROLLEASE® SKYLINE™ BRACKETS W/SCREWS & ZMC® XL SERIES BRACKET	9016378
4	SKYLINE SERIES BRACKETS 1.5" PROJECTION (ROLLEASE®) (2 REQUIRED)	9017910
5	SKYLINE SERIES HEAVY DUTY IDLER END PLUG (FOR ROLLEASE® 1.5" TUBE)	9017912
6	ROLLEASE® 1.5" TUBE	9017913
7	ZMC® 1.5" Z-TUBE	CONTACT ZMC
8	CORD CLIPS (FOR ROLLEASE® 1.5" TUBE & ZMC® 1.5" Z-TUBE)	9012200
9	TAKE-UP REEL (FOR ROLLEASE® 1.5" TUBE & ZMC® 1.5" Z-TUBE)	1780786
10	M3.5 x 9 MM SCREWS	9014066
11	ROLLEASE® SKYLINE SERIES INTERMEDIATE LINK SYSTEM	9016367

SONESSE® 30 HARDWARE SYSTEMS - Louvolite® System 40 & ZMC® RS-Series

STANDARD BRACKET COMPONENTS



DIMENSIONS AND LIGHT GAP SPECIFICATIONS



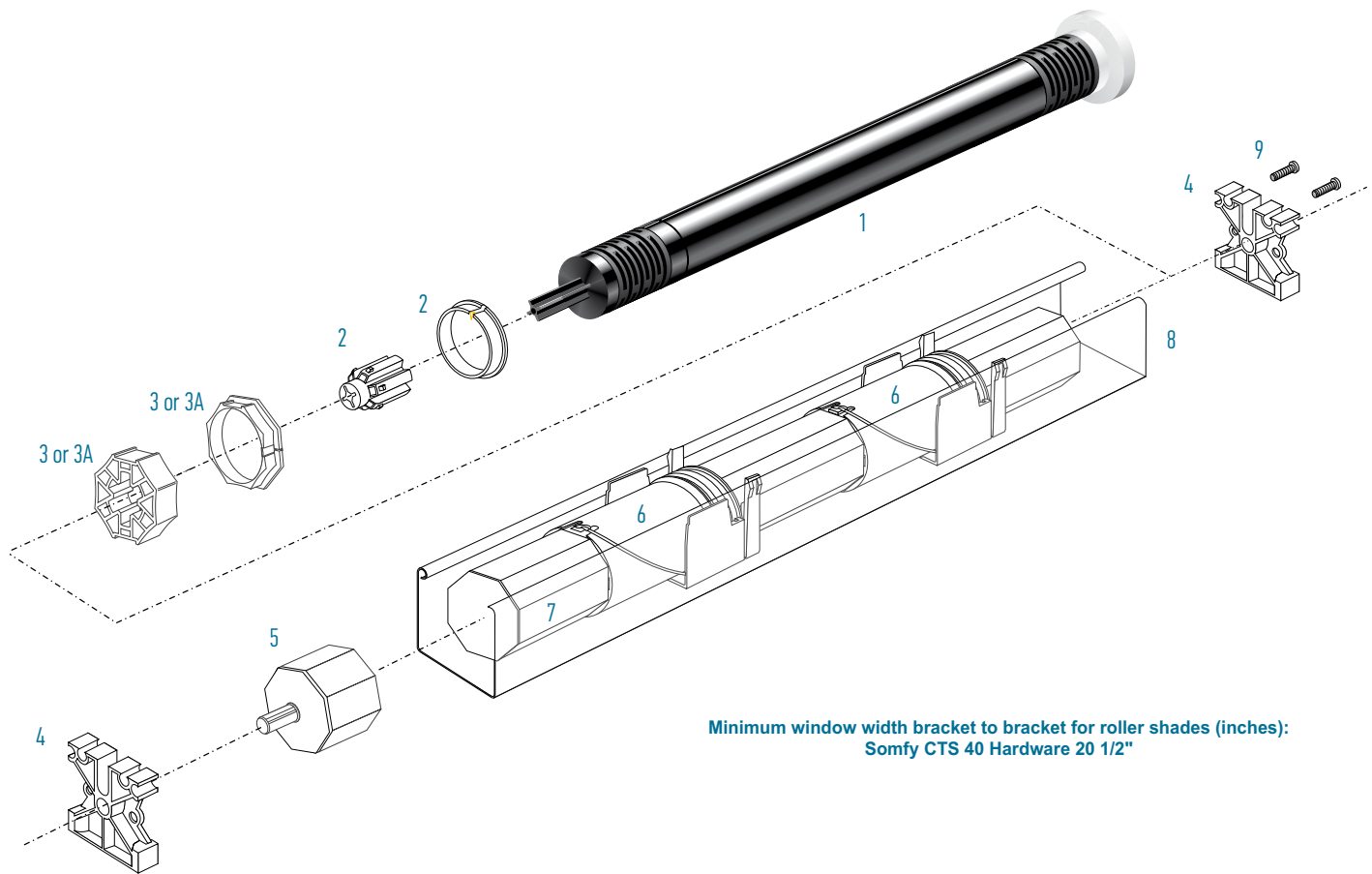
PRODUCT CHART

IMAGE	DESCRIPTION	CATALOG NUMBER
1	SONESSE® 30 MOTOR (RTS) #1001524, RS485 #1000658, DTC #1000668	
2	CROWN AND DRIVE (LOUVOLITE® 40 MM TUBE) WITH SCREWS	9013775
2, 4, 11	CROWN, DRIVE, MOTOR MOUNT PLATE AND 3.5 x 9 MM SCREWS (FOR LOUVOLITE® SYSTEM 40 AND ZMC® 1.5" RS-SERIES)	9014045
3, 4A, 11	CROWN, DRIVE, MOTOR MOUNT PLATE AND 3.5 x 9 MM SCREWS (FOR LOUVOLITE® SYSTEM 45 AND ZMC® 1.5" RS-SERIES)	9014333
4	MOTOR BRACKET ADAPTOR PLATE WITH SCREWS (LOUVOLITE® SYSTEM 40)	9014072
4A	MOTOR BRACKET ADAPTOR PLATE WITH SCREWS (LOUVOLITE® SYSTEM 45)	9016013
5	MOTOR & IDLER BRACKET KIT (FOR LOUVOLITE® STYLE SYSTEM 40 & ZMC® RS-SERIES)	9013715
6	*MOTOR & IDLER BRACKET KIT (LOUVOLITE® SYSTEM 45)	9015554
7	COLLAPSIBLE END PLUG (FOR LOUVOLITE® STYLE SYSTEM 40 & ZMC® RS-SERIES)	9013716
8	COLLAPSIBLE END PLUG (LOUVOLITE® SYSTEM 45)	9015555
9	LOUVOLITE® STYLE 40 MM TUBE & ZMC® 1.5" RS-TUBE	CONTACT SOMFY/ZMC®
10	LOUVOLITE® 45 MM TUBE	CONTACT LOUVOLITE®
11	SCREWS M3.5 x 9 MM	9014066

*KIT TO BE USED WITH MOTOR BRACKET ADAPTOR PLATE (LOUVOLITE® SYSTEM 40), CATALOG #9014072

SONESSE® 30 HARDWARE SYSTEMS - Somfy® CTS 40

CORD TAKE-UP SYSTEM (CTS)



PRODUCT CHART

IMAGE	DESCRIPTION	CATALOG NUMBER
1	SONESSE® 30 MOTOR (RTS) #1001524, RS485 #1000658, DTC #1000668	
2	SONESSE® 30 TO LS40 ADAPTOR WITH SCREWS	9013776
3	CROWN AND DRIVE KIT 40 MM OCTAGONAL TUBE (LOUVOLITE® SYSTEM 40)	9012225
3A	RUBBERIZED CROWN AND DRIVE KIT 40 MM OCTAGONAL TUBE	9016655
4	MOTOR/IDLER BRACKET (FOR 57 MM x 51 MM HEADRAIL) (LOUVOLITE® SYSTEM 45)	9500736
5	IDLER END PLUG FOR 40 MM OCTAGONAL TUBE	9012274
6	CTS 40 (FOR 57 MM x 41 MM HEADRAIL)	1781118
7	SOMFY 40 MM OCTAGONAL TUBE (20 FT. MAX LENGTH)	1781154
8	57 MM x 51 MM (2" x 2 1/4") GUTTER RAIL OR SIMILAR	CONTACT MANUFACTURER
9	M 3.5 x 9 MM SCREWS	9014066