

# Drapery Motor Wiring Examples

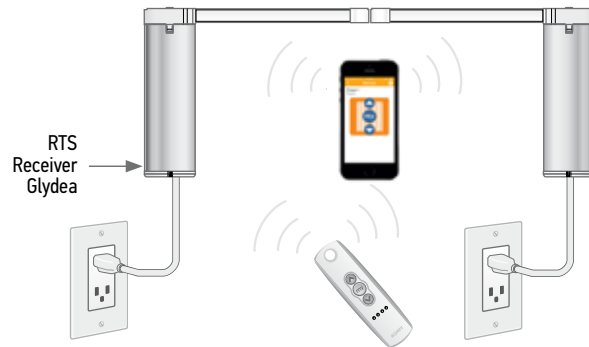


## RTS RADIO CONTROL

### Individual control



### Group control



## DCT CONTROL

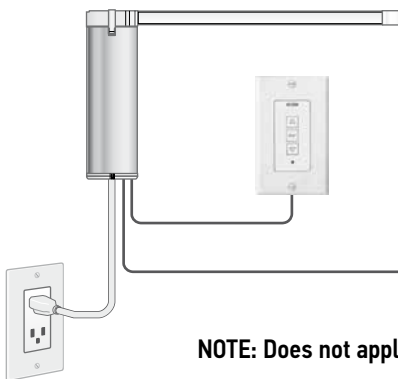


The Dry Contact Control can be done through devices with 2 normally open contacts (open, close) or 3 normally open contacts (open, stop, close). For devices using 2 contacts, the stop command is achieved by closing the open and close contacts. For 3 devices, the stop can also be achieved with a specific stop button. Individual, group and master DCT controls can be achieved using a DCT Splitter and a Diode boxes as shown below.

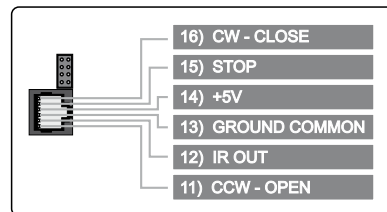
### NUMBER OF DCT DRAPERLY MOTORS AND LENGTH OF CONTROL LIMITATIONS

| WIRE CROSS-SECTION   | MAXIMUM LENGTH OF CABLE | MAXIMUM NUMBER OF MOTORS |
|----------------------|-------------------------|--------------------------|
| Cat5 or Equal        | 328 ft. (100 m)         | 10                       |
| 0.75 mm <sup>2</sup> | 656 ft. (200 m)         | 20                       |

### Individual control

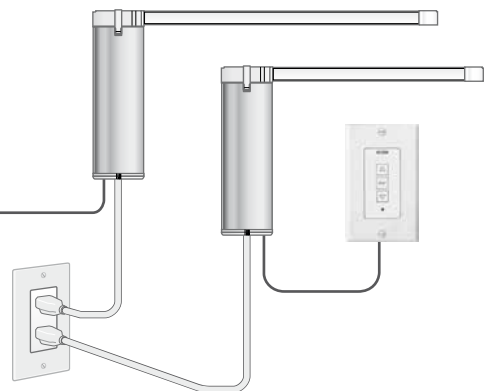


### RJ12 SOCKET PIN OUT



NOTE: Does not apply to Irismo™ 45 WireFree

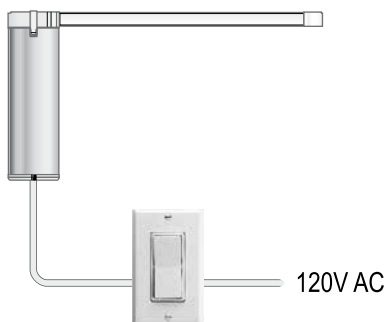
### Group control



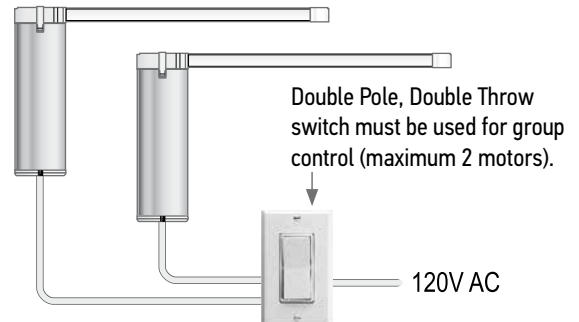
## WIRED CONTROL



### Individual control



### Group control



NOTE: Examples are for illustrative purposes. Additional components may be needed depending on your installation.

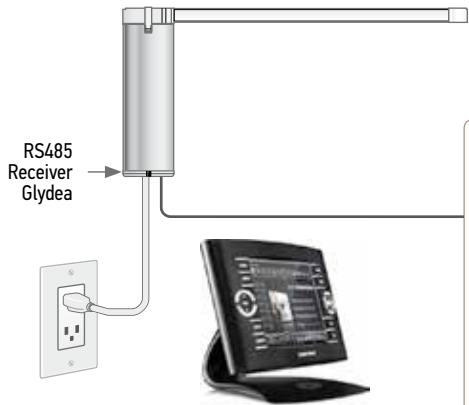
NOTE: Applies to Glydea range only.

# Drapery Motor Wiring Examples



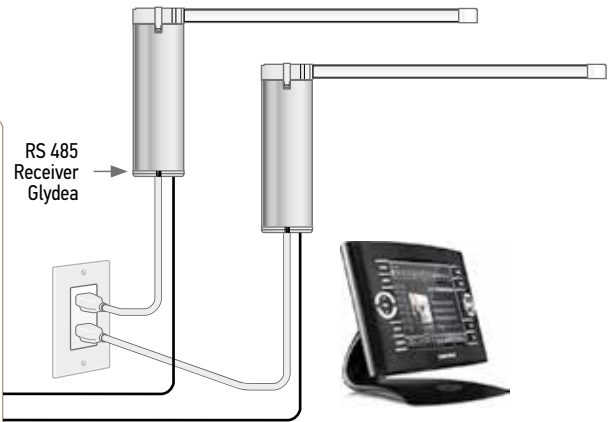
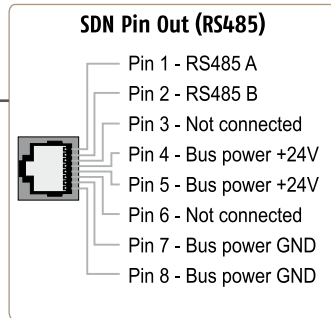
## RS485 CONTROL

### Individual control



### Group and individual control

See diagram on previous page for RJ12 Socket Pin Out

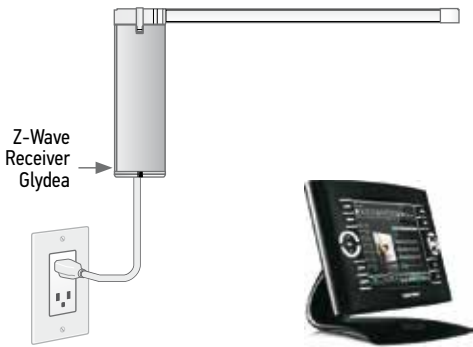


**NOTE:** Does not apply to Irismo™ 45 WireFree

## Z-WAVE® CONTROL



### Individual control



### Group and individual control



## ZIGBEE® CONTROL



### Individual control



### Group and individual control



**NOTE:** Examples are for illustrative purposes. Additional components may be needed depending on your installation.

**NOTE:** Does not apply to Irismo™ 45 WireFree