

# UNIVERSAL RTS INTERFACE



Sheer Horizontal Shades



2" Horizontal Blinds



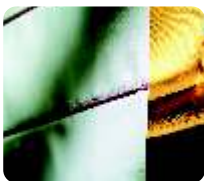
Pleated/Cellular Shades



Roller/Solar Shades



Draperies



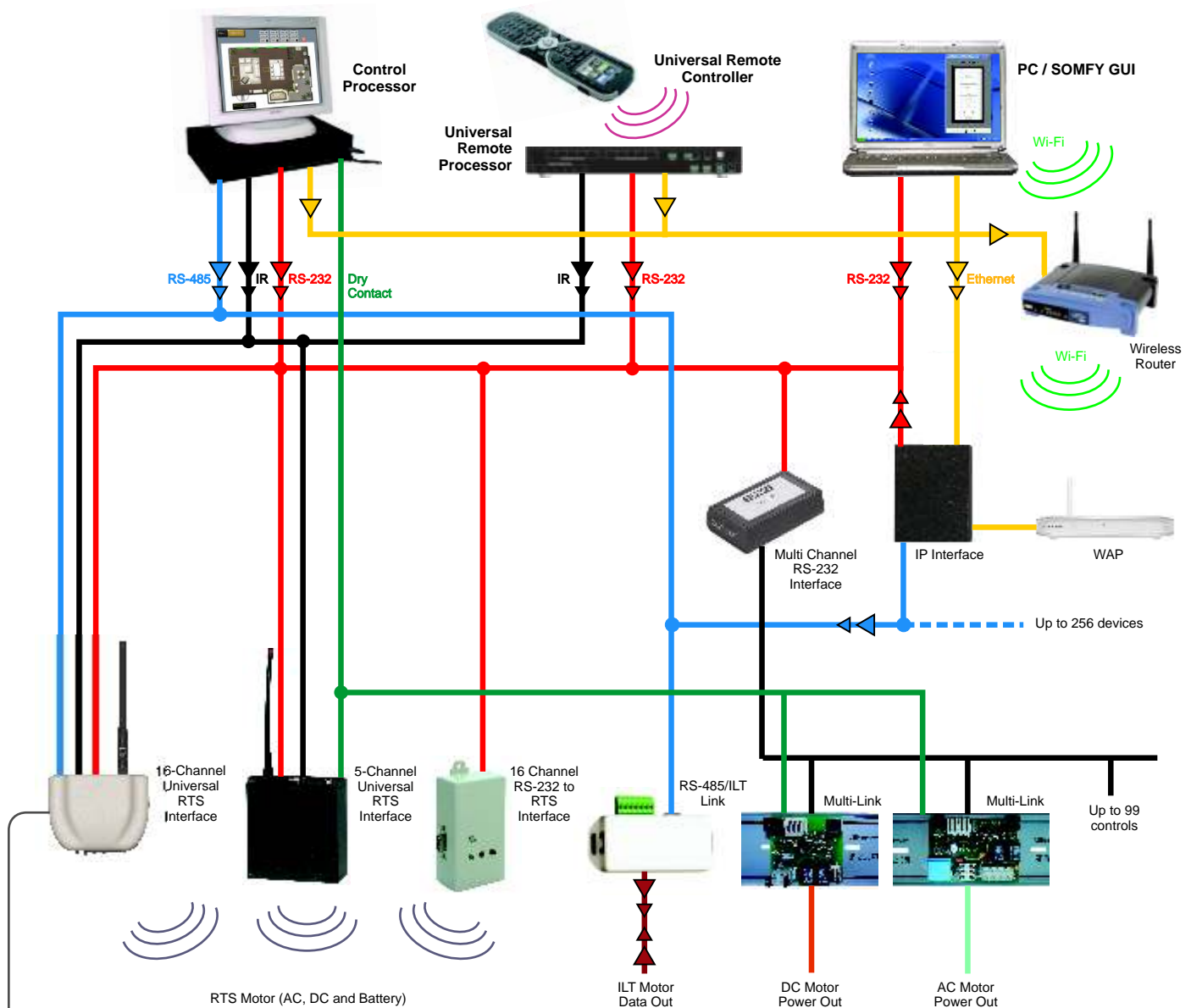
Roman/Woven Shades

## Window covering control made simpler

This 16-channel interface allows users to convert infrared, RS-232 and RS-485 protocol into Radio Technology Somfy® (RTS) for RF control of window coverings, powered by Somfy motors.



# Somfy Motor Control Network



### Serial Interface:

Supported Protocols: RS-232, RS-485  
# of Ports: 1 RJ45

### Serial Communication Parameters:

9600 Baud  
8 Data bits  
1 Stop Bit  
No parity

### RJ45 Pinout

Pin 1,2: RS-485  
Pin 3: Transmit (TX)  
Pin 4,5: DC+  
Pin 6: Receive (RX)  
Pin 7,8: DC- (Ground for RS-232)

**Pins 1&2, 4&5, 7&8 internally connected**

### Power Requirements:

Input Power: 9VDC, 200mA - UL Approved  
Power Consumption: 20mA

### Mechanical:

Casing: Poly Case  
Dimensions: 3" L x 4" W x 1.75" H

### Radio Frequency:

Range: 75 feet\*  
FCC Approved  
\* Under optimal conditions (Some sort of disclaimer)

### Infrared Capability\*\*:

Compatible with Somfy's 24 channel IR transmitter

\*\* Optional IR sensor required